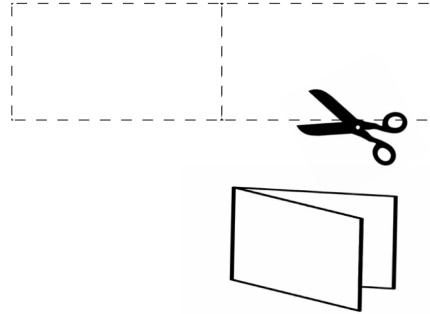


To print at home, use heavy weight paper, or card stock. Cut out the cards along the dotted lines. If you're unable to print on both sides, you can simply fold on the center line to make a 2-sided card.

If you use a professional printer, we suggest you print 2-sided cards with white text on red card stock with rounded corners.



እገ መንግስቲ ብዝፈቐዶ መሰረት መሰልካ/መሰልኪ ሕሉው እዩ። ማዕጻ ከይተሸፍት/ከይተሸፍቲ ዋላ ውን ናይ ኢሚግሬሽን ወኪል እንተሟሕሐሐ። ንዝኾነ ደኹን ሕቶ መልሲ ኣይተሃብ/ኣይተሃቢ እንተድኣ ናይ ኢሚግሬሽን ወኪል ክሓተካ/ክሓተኪ ፈቲኑ። ናይ ዘይምምላስ መሰልካ/መሰልኪ ዝተሓለወ እዩ። ንጠበቓ ከየዘራረብካ/ከየዘራረብኪ ዝኾነ ደኹን ነገር ኣትፈርም/ኣይትፈርሚ። ምስ ጠበቓ ናይ ምዝራብ መሰል ኣለካ/ኣለኪ። እንተድኣ ካብ ገዛኻ/ገዛኺ ወጻኢ ኣለኻ/ኣለኺ። ነቲ ወኪል ክትከይድ/ክትከዲ ከም ኣትቫእል/ኣትቫእሊ ኣፍቅድ/ ኣፍቅዲ። እንተድኣ ፈቐዱልካ/ፈቐዱልኪ ድማ ብህድኣት ኪድ/ኪዲ። እዚኣ ካርድ ነቲ ወኪል ሀቦ። ኣብ ገዛ እንተለኻ/እንተለኺ። እታ ካርድ ብቲ መስኮት ኣርእዩ። ወይ ድማ ብትሕቲ ማዕጻ ኣቐበልዮ።

www.RedCardOrders.com

I do not wish to speak with you, answer your questions, or sign or hand you any documents based on my 5th Amendment rights under the United States Constitution.

I do not give you permission to enter my home based on my 4th Amendment rights under the United States Constitution unless you have a warrant to enter, signed by a judge or magistrate with my name on it that you slide under the door.

I do not give you permission to search any of my belongings based on my 4th Amendment rights.

I choose to exercise my constitutional rights.

*These cards are available to citizens and noncitizens alike.*

እገ መንግስቲ ብዝፈቐዶ መሰረት መሰልካ/መሰልኪ ሕሉው እዩ። ማዕጻ ከይተሸፍት/ከይተሸፍቲ ዋላ ውን ናይ ኢሚግሬሽን ወኪል እንተሟሕሐሐ። ንዝኾነ ደኹን ሕቶ መልሲ ኣይተሃብ/ኣይተሃቢ እንተድኣ ናይ ኢሚግሬሽን ወኪል ክሓተካ/ክሓተኪ ፈቲኑ። ናይ ዘይምምላስ መሰልካ/መሰልኪ ዝተሓለወ እዩ። ንጠበቓ ከየዘራረብካ/ከየዘራረብኪ ዝኾነ ደኹን ነገር ኣትፈርም/ኣይትፈርሚ። ምስ ጠበቓ ናይ ምዝራብ መሰል ኣለካ/ኣለኪ። እንተድኣ ካብ ገዛኻ/ገዛኺ ወጻኢ ኣለኻ/ኣለኺ። ነቲ ወኪል ክትከይድ/ክትከዲ ከም ኣትቫእል/ኣትቫእሊ ኣፍቅድ/ ኣፍቅዲ። እንተድኣ ፈቐዱልካ/ፈቐዱልኪ ድማ ብህድኣት ኪድ/ኪዲ። እዚኣ ካርድ ነቲ ወኪል ሀቦ። ኣብ ገዛ እንተለኻ/እንተለኺ። እታ ካርድ ብቲ መስኮት ኣርእዩ። ወይ ድማ ብትሕቲ ማዕጻ ኣቐበልዮ።

www.RedCardOrders.com

I do not wish to speak with you, answer your questions, or sign or hand you any documents based on my 5th Amendment rights under the United States Constitution.

I do not give you permission to enter my home based on my 4th Amendment rights under the United States Constitution unless you have a warrant to enter, signed by a judge or magistrate with my name on it that you slide under the door.

I do not give you permission to search any of my belongings based on my 4th Amendment rights.

I choose to exercise my constitutional rights.

*These cards are available to citizens and noncitizens alike.*

እገ መንግስቲ ብዝፈቐዶ መሰረት መሰልካ/መሰልኪ ሕሉው እዩ። ማዕጻ ከይተሸፍት/ከይተሸፍቲ ዋላ ውን ናይ ኢሚግሬሽን ወኪል እንተሟሕሐሐ። ንዝኾነ ደኹን ሕቶ መልሲ ኣይተሃብ/ኣይተሃቢ እንተድኣ ናይ ኢሚግሬሽን ወኪል ክሓተካ/ክሓተኪ ፈቲኑ። ናይ ዘይምምላስ መሰልካ/መሰልኪ ዝተሓለወ እዩ። ንጠበቓ ከየዘራረብካ/ከየዘራረብኪ ዝኾነ ደኹን ነገር ኣትፈርም/ኣይትፈርሚ። ምስ ጠበቓ ናይ ምዝራብ መሰል ኣለካ/ኣለኪ። እንተድኣ ካብ ገዛኻ/ገዛኺ ወጻኢ ኣለኻ/ኣለኺ። ነቲ ወኪል ክትከይድ/ክትከዲ ከም ኣትቫእል/ኣትቫእሊ ኣፍቅድ/ ኣፍቅዲ። እንተድኣ ፈቐዱልካ/ፈቐዱልኪ ድማ ብህድኣት ኪድ/ኪዲ። እዚኣ ካርድ ነቲ ወኪል ሀቦ። ኣብ ገዛ እንተለኻ/እንተለኺ። እታ ካርድ ብቲ መስኮት ኣርእዩ። ወይ ድማ ብትሕቲ ማዕጻ ኣቐበልዮ።

www.RedCardOrders.com

I do not wish to speak with you, answer your questions, or sign or hand you any documents based on my 5th Amendment rights under the United States Constitution.

I do not give you permission to enter my home based on my 4th Amendment rights under the United States Constitution unless you have a warrant to enter, signed by a judge or magistrate with my name on it that you slide under the door.

I do not give you permission to search any of my belongings based on my 4th Amendment rights.

I choose to exercise my constitutional rights.

*These cards are available to citizens and noncitizens alike.*

እገ መንግስቲ ብዝፈቐዶ መሰረት መሰልካ/መሰልኪ ሕሉው እዩ። ማዕጻ ከይተሸፍት/ከይተሸፍቲ ዋላ ውን ናይ ኢሚግሬሽን ወኪል እንተሟሕሐሐ። ንዝኾነ ደኹን ሕቶ መልሲ ኣይተሃብ/ኣይተሃቢ እንተድኣ ናይ ኢሚግሬሽን ወኪል ክሓተካ/ክሓተኪ ፈቲኑ። ናይ ዘይምምላስ መሰልካ/መሰልኪ ዝተሓለወ እዩ። ንጠበቓ ከየዘራረብካ/ከየዘራረብኪ ዝኾነ ደኹን ነገር ኣትፈርም/ኣይትፈርሚ። ምስ ጠበቓ ናይ ምዝራብ መሰል ኣለካ/ኣለኪ። እንተድኣ ካብ ገዛኻ/ገዛኺ ወጻኢ ኣለኻ/ኣለኺ። ነቲ ወኪል ክትከይድ/ክትከዲ ከም ኣትቫእል/ኣትቫእሊ ኣፍቅድ/ ኣፍቅዲ። እንተድኣ ፈቐዱልካ/ፈቐዱልኪ ድማ ብህድኣት ኪድ/ኪዲ። እዚኣ ካርድ ነቲ ወኪል ሀቦ። ኣብ ገዛ እንተለኻ/እንተለኺ። እታ ካርድ ብቲ መስኮት ኣርእዩ። ወይ ድማ ብትሕቲ ማዕጻ ኣቐበልዮ።

www.RedCardOrders.com

I do not wish to speak with you, answer your questions, or sign or hand you any documents based on my 5th Amendment rights under the United States Constitution.

I do not give you permission to enter my home based on my 4th Amendment rights under the United States Constitution unless you have a warrant to enter, signed by a judge or magistrate with my name on it that you slide under the door.

I do not give you permission to search any of my belongings based on my 4th Amendment rights.

I choose to exercise my constitutional rights.

*These cards are available to citizens and noncitizens alike.*