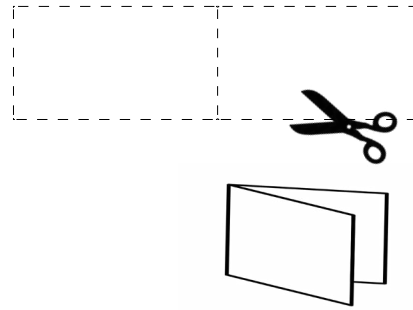


To print at home, use heavy weight paper, or card stock. Cut out the cards along the dotted lines. If you're unable to print on both sides, you can simply fold on the center line to make a 2-sided card.

If you use a professional printer, we suggest you print 2-sided cards with white text on red card stock with rounded corners.



Koj muaj cai los ntawm tug txhoj cai lij choj:

- **TSIS TXHOB QHIB QHOV ROOJ NAWB** yog thaum muaj ib tus neeg tsoom fvw immigration tuaj khob qhov rooj.
- **TSIS TXHOB TEB IB NQI LUS NUG LI** los ntawm ib tug neeg tsoom fvw immigration uas xav nrog koj tham. Koj yeej muaj cai tsis hais lus li.
- **TSIS TXHOB KOS NPE RAU DAB TSI LI** uas yog thaum koj tsis tau nrog ib tug kws lij choj tham. Koj yeej muaj cai nrog ib tug kws lij choj tham.
- Yog tias koj nyob nraum zoov ntawm koj lub tsev, nug tus neeg tsoom fvw immigration ntawd seb koj mus puas tau. Yog nws teb tias mus tau, ces maj mam mus.
- **MUAB DAIM NPAV NO RAU TUS NEEG TSOOM FWW.** Yog tias koj nyob hauv tsev, muab daim npav no tsa ntawm lub qhov rais kom nws pom los yog muab tso rau hauv qab qhov rooj mus.

Koj muaj cai los ntawm tug txhoj cai lij choj:

- **TSIS TXHOB QHIB QHOV ROOJ NAWB** yog thaum muaj ib tus neeg tsoom fvw immigration tuaj khob qhov rooj.
- **TSIS TXHOB TEB IB NQI LUS NUG LI** los ntawm ib tug neeg tsoom fvw immigration uas xav nrog koj tham. Koj yeej muaj cai tsis hais lus li.
- **TSIS TXHOB KOS NPE RAU DAB TSI LI** uas yog thaum koj tsis tau nrog ib tug kws lij choj tham. Koj yeej muaj cai nrog ib tug kws lij choj tham.
- Yog tias koj nyob nraum zoov ntawm koj lub tsev, nug tus neeg tsoom fvw immigration ntawd seb koj mus puas tau. Yog nws teb tias mus tau, ces maj mam mus.
- **MUAB DAIM NPAV NO RAU TUS NEEG TSOOM FWW.** Yog tias koj nyob hauv tsev, muab daim npav no tsa ntawm lub qhov rais kom nws pom los yog muab tso rau hauv qab qhov rooj mus.

Koj muaj cai los ntawm tug txhoj cai lij choj:

- **TSIS TXHOB QHIB QHOV ROOJ NAWB** yog thaum muaj ib tus neeg tsoom fvw immigration tuaj khob qhov rooj.
- **TSIS TXHOB TEB IB NQI LUS NUG LI** los ntawm ib tug neeg tsoom fvw immigration uas xav nrog koj tham. Koj yeej muaj cai tsis hais lus li.
- **TSIS TXHOB KOS NPE RAU DAB TSI LI** uas yog thaum koj tsis tau nrog ib tug kws lij choj tham. Koj yeej muaj cai nrog ib tug kws lij choj tham.
- Yog tias koj nyob nraum zoov ntawm koj lub tsev, nug tus neeg tsoom fvw immigration ntawd seb koj mus puas tau. Yog nws teb tias mus tau, ces maj mam mus.
- **MUAB DAIM NPAV NO RAU TUS NEEG TSOOM FWW.** Yog tias koj nyob hauv tsev, muab daim npav no tsa ntawm lub qhov rais kom nws pom los yog muab tso rau hauv qab qhov rooj mus.

Koj muaj cai los ntawm tug txhoj cai lij choj:

- **TSIS TXHOB QHIB QHOV ROOJ NAWB** yog thaum muaj ib tus neeg tsoom fvw immigration tuaj khob qhov rooj.
- **TSIS TXHOB TEB IB NQI LUS NUG LI** los ntawm ib tug neeg tsoom fvw immigration uas xav nrog koj tham. Koj yeej muaj cai tsis hais lus li.
- **TSIS TXHOB KOS NPE RAU DAB TSI LI** uas yog thaum koj tsis tau nrog ib tug kws lij choj tham. Koj yeej muaj cai nrog ib tug kws lij choj tham.
- Yog tias koj nyob nraum zoov ntawm koj lub tsev, nug tus neeg tsoom fvw immigration ntawd seb koj mus puas tau. Yog nws teb tias mus tau, ces maj mam mus.
- **MUAB DAIM NPAV NO RAU TUS NEEG TSOOM FWW.** Yog tias koj nyob hauv tsev, muab daim npav no tsa ntawm lub qhov rais kom nws pom los yog muab tso rau hauv qab qhov rooj mus.

I do not wish to speak with you, answer your questions, or sign or hand you any documents based on my 5th Amendment rights under the United States Constitution.

I do not give you permission to enter my home based on my 4th Amendment rights under the United States Constitution unless you have a warrant to enter, signed by a judge or magistrate with my name on it that you slide under the door.

I do not give you permission to search any of my belongings based on my 4th Amendment rights.

I choose to exercise my constitutional rights.

These cards are available to citizens and noncitizens alike.

I do not wish to speak with you, answer your questions, or sign or hand you any documents based on my 5th Amendment rights under the United States Constitution.

I do not give you permission to enter my home based on my 4th Amendment rights under the United States Constitution unless you have a warrant to enter, signed by a judge or magistrate with my name on it that you slide under the door.

I do not give you permission to search any of my belongings based on my 4th Amendment rights.

I choose to exercise my constitutional rights.

These cards are available to citizens and noncitizens alike.

I do not wish to speak with you, answer your questions, or sign or hand you any documents based on my 5th Amendment rights under the United States Constitution.

I do not give you permission to enter my home based on my 4th Amendment rights under the United States Constitution unless you have a warrant to enter, signed by a judge or magistrate with my name on it that you slide under the door.

I do not give you permission to search any of my belongings based on my 4th Amendment rights.

I choose to exercise my constitutional rights.

These cards are available to citizens and noncitizens alike.

I do not wish to speak with you, answer your questions, or sign or hand you any documents based on my 5th Amendment rights under the United States Constitution.

I do not give you permission to enter my home based on my 4th Amendment rights under the United States Constitution unless you have a warrant to enter, signed by a judge or magistrate with my name on it that you slide under the door.

I do not give you permission to search any of my belongings based on my 4th Amendment rights.

I choose to exercise my constitutional rights.

These cards are available to citizens and noncitizens alike.